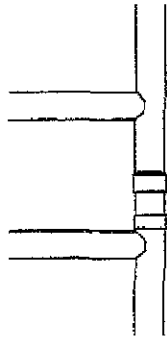
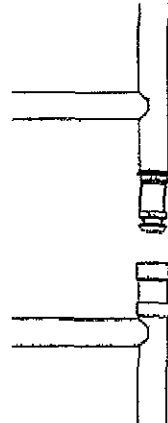


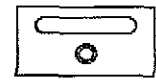
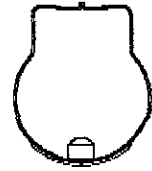
**MINI-MAX Nylon Spigot & Interlock Clip Detail**



Frame Engaged

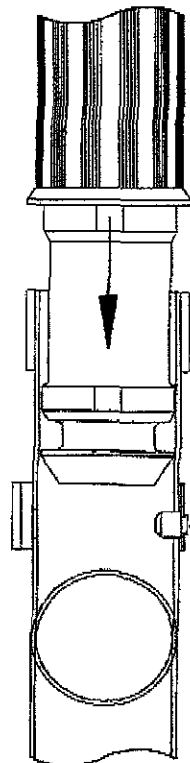


Frame Disengaged



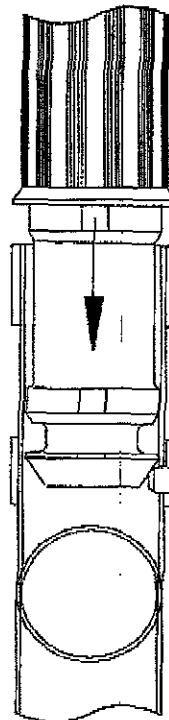
Spigot Locking Clip

Sectional View Spigot Automatic Locking



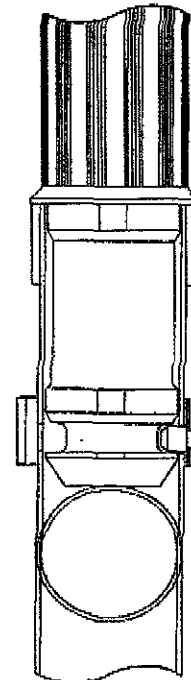
Disengaged

Spring Clip in closed position

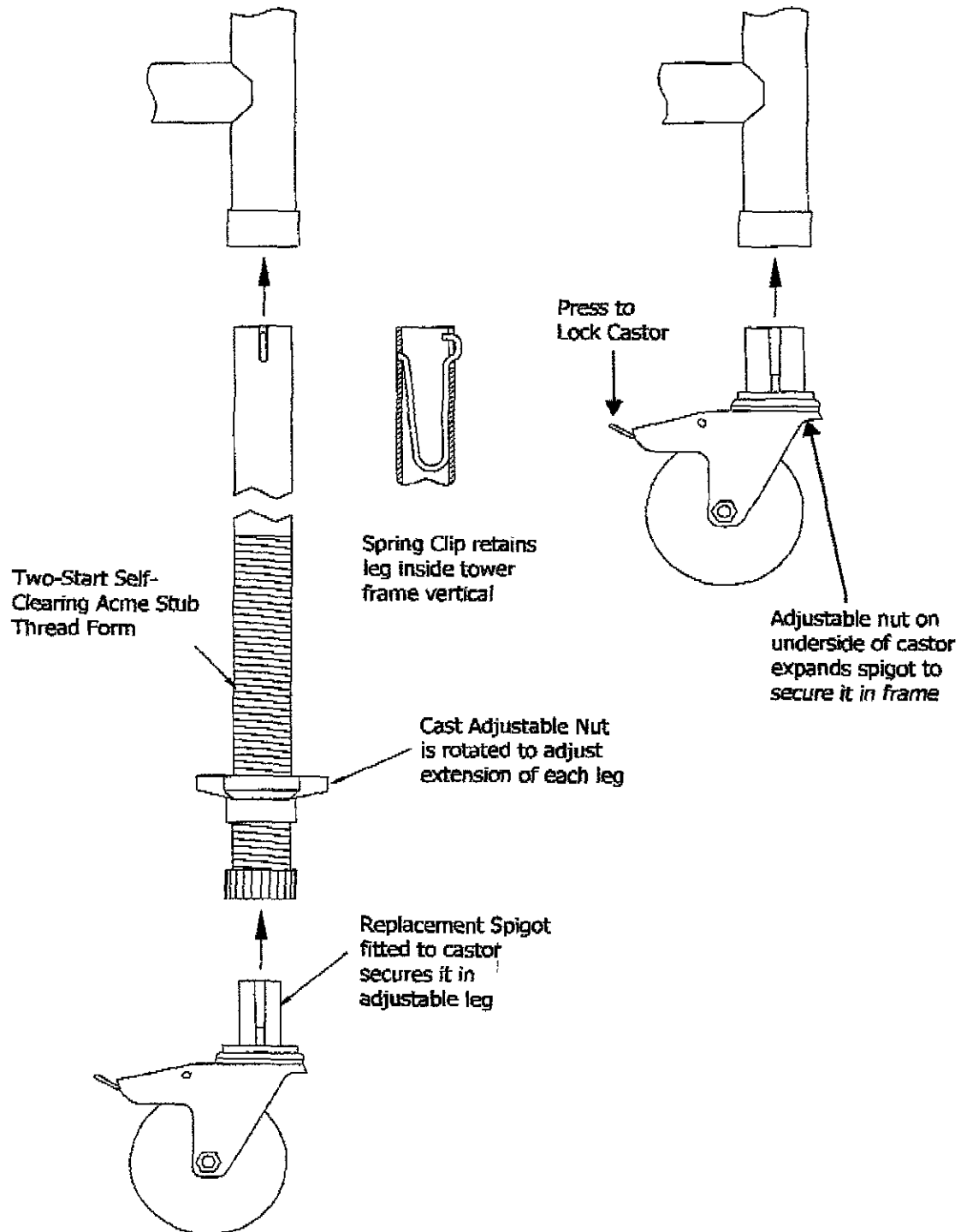


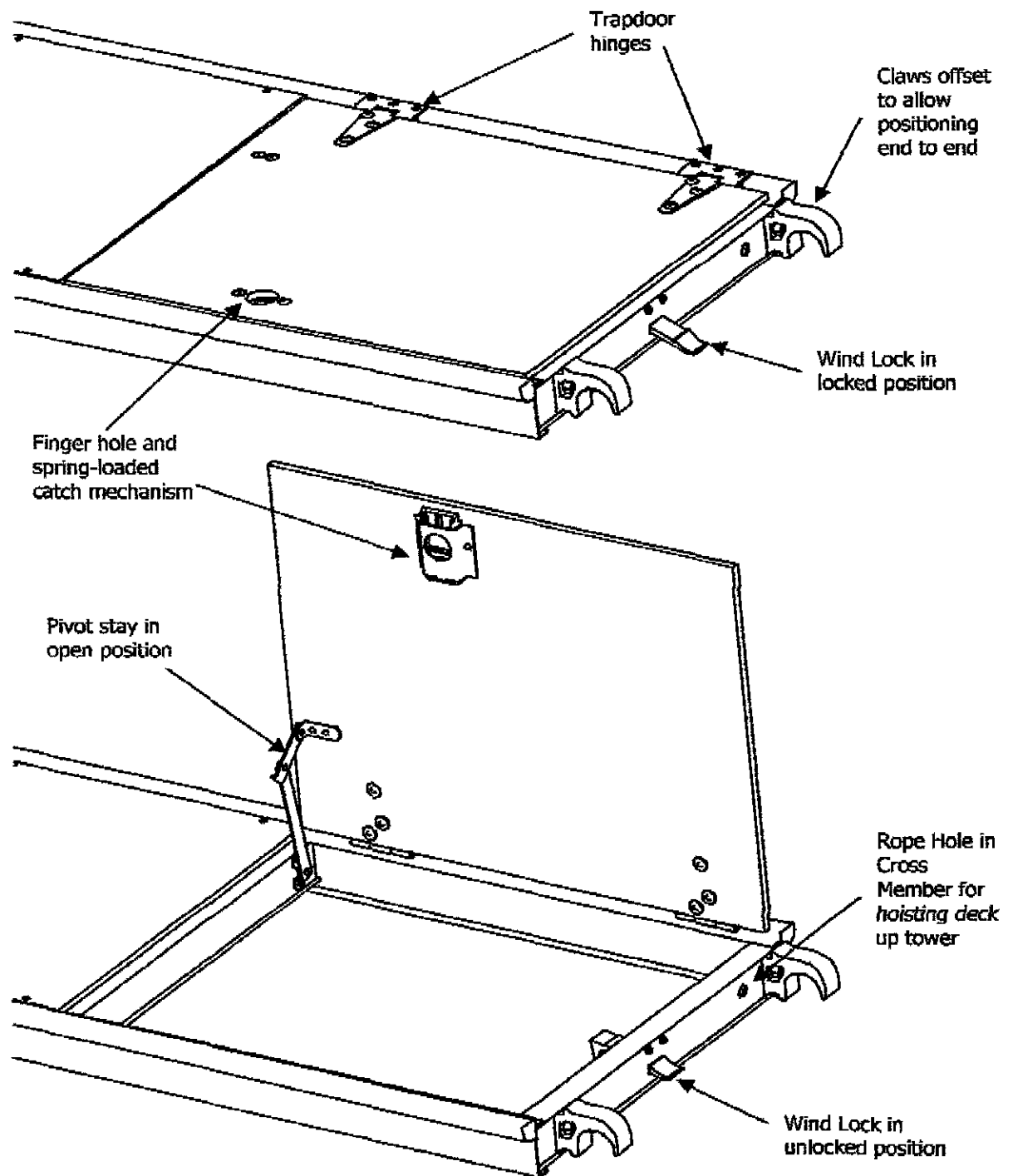
Engaging

Spring Clip rides over ramp and engages in locating hole

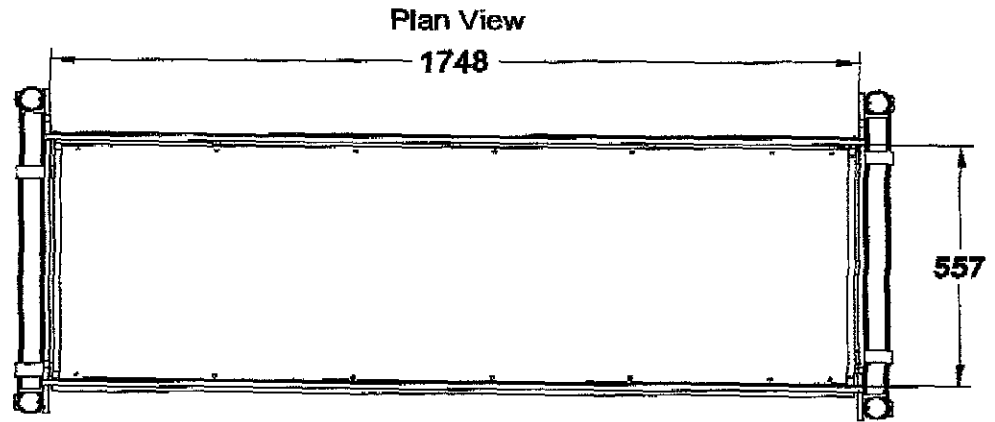


Engaged

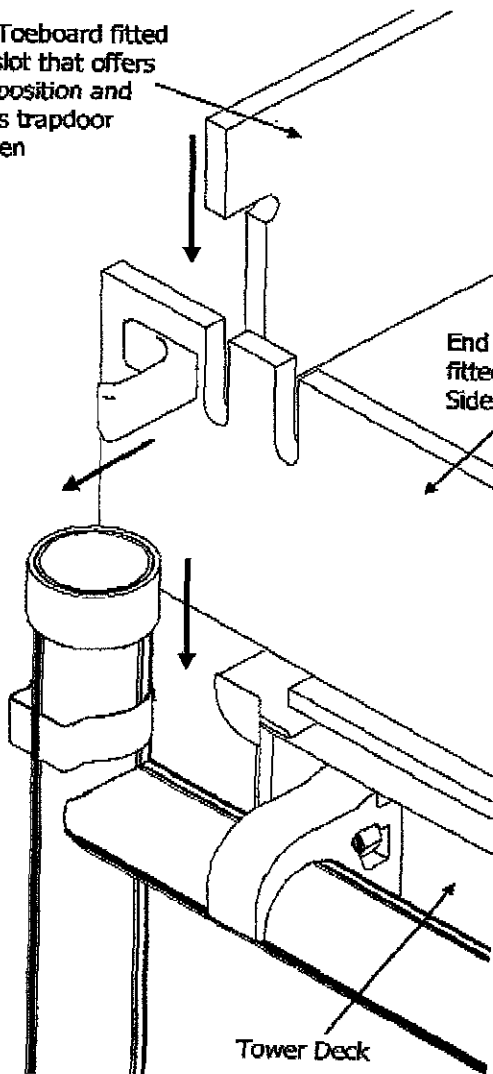
**MINI-MAX Adjustable Leg and Castor Details**

**MINI-MAX Trapdoor Deck Details**

**MINI-MAX Exploded View of Toeboard Assembly**



Side Toeboard fitted into slot that offers best position and allows trapdoor to open



Nylon Clip secures End Toeboard to Guardrail frame (omitted in previous view for clarity)

